



INTERNATIONAL
Water·Guard

(PN 09-130121-304)

IWG-A6

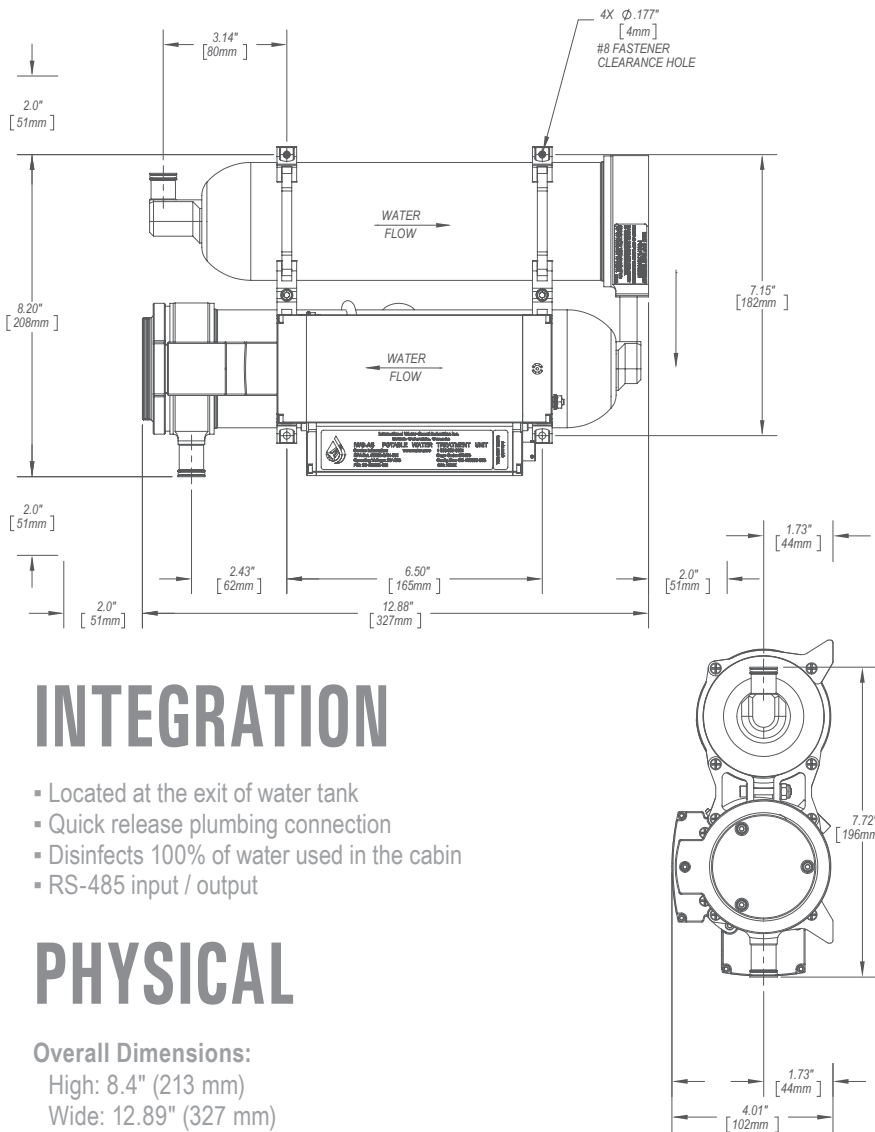
WATER TREATMENT
UNIT



DESIGNED FOR GULFSTREAM G500/600/650

The IWG-A6 represents the latest generation of International Water-Guard's aircraft water treatment units, using proven ultraviolet technology and state of the art design





INTEGRATION

- Located at the exit of water tank
- Quick release plumbing connection
- Disinfects 100% of water used in the cabin
- RS-485 input / output

PHYSICAL

Overall Dimensions:

High: 8.4" (213 mm)
Wide: 12.89" (327 mm)
Deep: 4.0" (102 mm)

Weight:

Weight: 9.75 lbs (4.43 kg)

Mechanical:

Plumbing Fittings: AS1656-08

Electrical:

Input Voltage: 28 VDC
Input Current: 2.5 A maximum
(2.0 A nominal)
Electric Interface: MS27508-8-98
(receptacle)
Visual Indicator: red/amber/green LED

Performance

Operating (max) pressure: 60 psig
Flow Rate (max): 2.0 USGPM
(7.56 LPM)
UV Dosage Level: NSF 55 Class A
(40 mj/cm²)
Pressure drop: 3.5 psid @ 2.0 usgpm
(with sediment filter installed)

BENEFITS

- Disinfects all potable water onboard the aircraft
- Continuous real-time health status information via RS-485 output.
- Protects the water used to make coffee, tea, soup, noodles, etc.
- Eco-Friendly, reduces plastic water bottles in the landfill.
- Reduces the cost of purchasing and stocking water bottles.
- Guards the health of your guests
- IWG has a 30-year history of quality aviation products with proven customer service world-wide.

DO-160G

Description	Section	Category
Temperature & Altitude	4.0	A3
Temperature Variation	5.0	B
Humidity	6.0	A
Operational Shock and Crash Safety	7.0	B
Vibration	8.0	S, Curve C
Waterproofness	10.0	W
Fluid Susceptibility	11.0	N/A
Sand & Dust	12.0	N/A
Fungus Resistance	13.0	F*
Salt Fog	14.0	N/A
Magnetic Effect	15.0	A
Power Input	16.0	Z
Voltage Spike	17.0	A
Audio Frequency Conducted		
Susceptibility – Power Inputs	18.0	Z
Induced Signal Susceptibility	19.0	ZC
Radio Frequency Susceptibility (Conducted and Radiated)	20.0	T
Emission of Radio Frequency Energy (Conducted and Radiated)	21.0	M
Lightning Induced Transient Susceptibility	22.0	A3E3XX
Electrostatic Discharge	25.0	A
Flammability	26.0	C*

* by analysis

WHAT IS UV?

UV refers to ultraviolet light with wavelengths between 200 - 280 nanometers (nm). UV light can be used for disinfecting water, sterilizing surfaces, destroying harmful micro-organisms in food products and in air.

HOW UV WORKS?

UVC radiation, in the range of 250 - 280 nm, is especially effective in inactivating harmful micro-organisms such as bacteria and viruses, by destroying the genetic information in the DNA. The micro-organisms either are destroyed or lose their reproductive capability. The germicidal nature of UV is well suited to treat parasites such as Cryptosporidium or Giardia, which are extremely resistant to chemical disinfectants.

WHY IT WORKS

Provides pathogenic disinfection of the water using UV light at the point of exit from the water supply tank.

IWG-A6 ultraviolet lamp inactivates pathogenic bacteria and viruses present in the aircraft's potable water supply, including Cryptosporidium and Giardia lamblia, rendering it safe for human consumption in the cabin.